

TECH SPECS

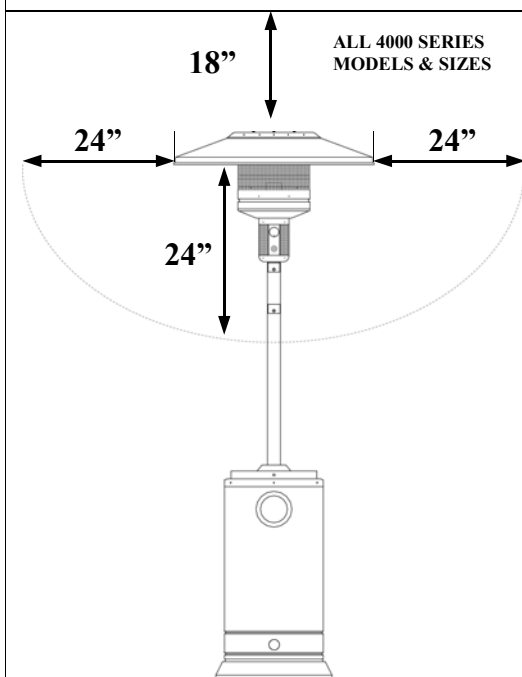
SERIES 4000 (-J) PORTABLE

MODEL NO.	BTU/Hr	GAS	IGNITION	FINISH	DIMENSION H x W	FOLDING WHEELS	CYLINDER / COUNTER-WEIGHT	WEIGHT IN LBS.
4001 (-J)	46,000	LP	BATTERY ELECTRIC	STAINLESS STEEL	89 3/4" x 32 1/4"	YES	30 OR 20 lb. cyl.	37
4N11 (-J)	45,000	NAT	BATTERY ELECTRIC	STAINLESS STEEL	89 3/4" x 32 1/4"	YES	SAND CONTAINER	37
4002 (-J)	46,000	LP	BATTERY ELECTRIC	BLACK OR BRONZE	89 3/4" x 32 1/4"	YES	30 OR 20 lb. cyl.	37
4N12 (-J)	45,000	NAT	BATTERY ELECTRIC	BLACK OR BRONZE	89 3/4" x 32 1/4"	YES	SAND CONTAINER	37
4003	46,000	LP	PIEZO	BLACK	82 5/8" x 32 1/4"	NO	20 lb. cyl.	35

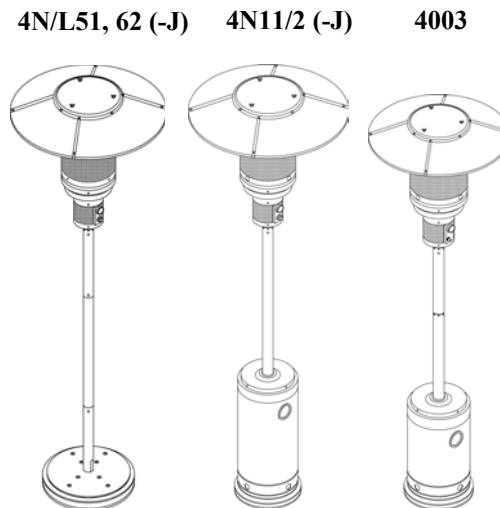
SERIES 4000 (-J) FIXED

MODEL NO.	BTU/Hr	GAS	IGNITION	FINISH	DIMENSION HEIGHT x WIDTH	GAS PRESURE		GAS INLET	MOUNTING	WEIGHT IN LBS.
						MANIFOLD	MAX. INLET			
4N51 (-J)	45,000	NAT	24v WIRED	STAINLESS STEEL	88 1/5" x 32"	5" W.C.	14" W.C.	1/2"	FLOOR/DECK	37
4L51 (-J)	46,000	LP	24v WIRED	STAINLESS STEEL	88 1/5" x 32"	10" W.C.	14" W.C.	1/2"	FLOOR/DECK	37
4N62 (-J)	45,000	NAT	24v WIRED	BLACK	88 1/5" x 32"	5" W.C.	14" W.C.	1/2"	FLOOR/DECK	37
4L62 (-J)	46,000	LP	24v WIRED	BLACK	88 1/5" x 32"	10" W.C.	14" W.C.	1/2"	FLOOR/DECK	37

MINIMUM CLEARANCES TO COMBUSTIBLES:



MODELS



SHIPPING / DISPLAY CARTON = 18" x 18" x 35" (4001/2)
SHIPPING / DISPLAY CARTON = 18" x 18" x 31" (4003)